

Telecom OC48 Oscillator

- 622.08 MHz Osc
- PECL Output

Applications

- SDH / SONET
- Digital Switching
- Test Equipment
- Cellular Telephony
- Land Mobile Radio

Series **CFSE**



Part Numbering Example: CFSE Z

Specifications:	Min	Typ	Max	Unit
Frequency Range:		622.08		MHz
Available Stability Options:	-30		30	ppm
Supply Voltage:	3.135	3.3	3.465	V
Operating Temperature Range Options:	-10		85	°C
Storage Temperature:	-55		125	°C
Duty Cycle:	45		55	%
Start-Up Time:		3	10	mS
Aging (PPM/1st Year): Ta=25C, Vdd=3.3V			±5	
Static Discharge Voltage Mil-Std 883, method 3015	2000			V
Supply Current			100	mA
Short Circuit Current		± 50		mA
Jitter (RMS) Integrated (12KHz - 20MHz) Period		3 10	4	pS pS
Phase Noise @10KHz Offset		-118		dBc/Hz
Output Voltage Voh Vol RI = 50Ω – (Vdd - 2V)	Vdd - 1.025		Vdd - 1.62	V V
Rise / Fall Time Clock Rise (tr) Clock Fall (tf)		0.6 0.5	1.5 1.5	nS nS
Output Level:	PECL			
Packaging:	Tape & Reel			

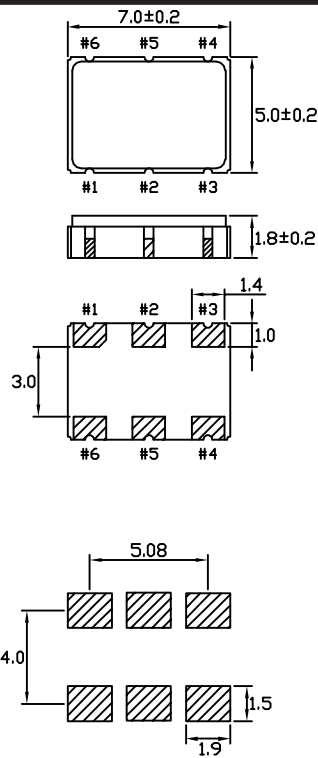
Notes: Extended exposure exceeding maximum ratings may cause permanent damage and affect reliability. Operation outside of specifications is not supported.

Cardinal Components, Inc., 155 Rt. 46 W, Wayne, NJ. 07470 TEL: (973)785-1333 FAX: (973)785-0053
<http://www.cardinalxtal.com> E-Mail: cardinal@cardinalxtal.com

Specifications subject to change without notice. Check website for latest updates



CFSE

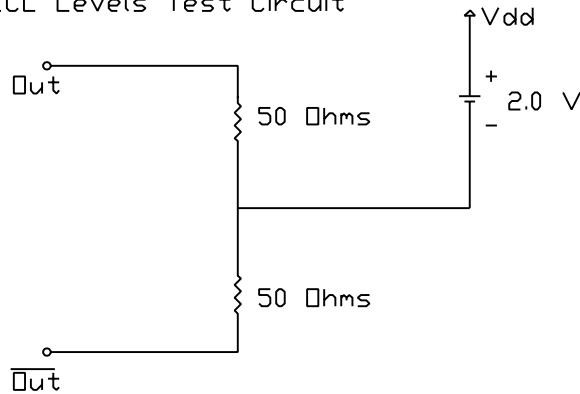


PIN	FUNCTION
1	N/C
2	OE
3	GND
4	PECL +
5	PECL -
6	Vdd

DIMENSIONS ARE IN MM

LEVELS TEST CIRCUIT

PECL Levels Test Circuit



OUTPUT SKEW

PECL Output Skew

